



Oil-Free Rotary Diaphragm Pump

RD1



Max Flow	0.85 l/min
Max Vacuum	300 mbar
Max Pressure	2.0 bar

Motor Type

12V DC

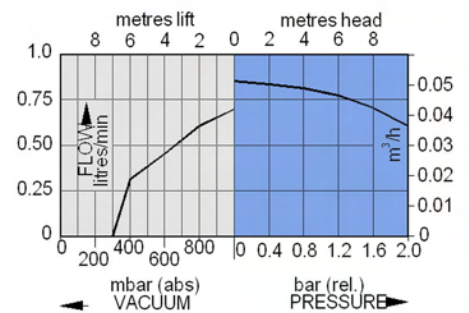
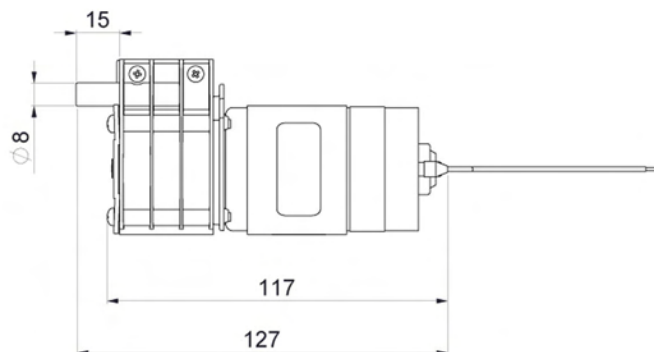
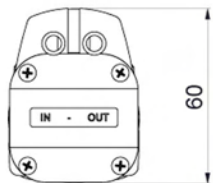
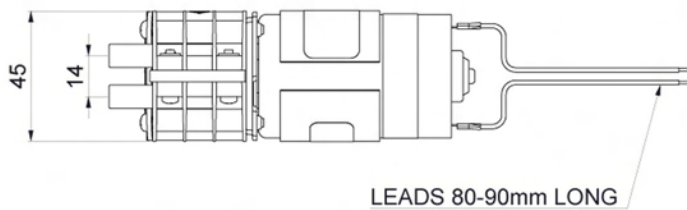
Performance

Model no.	Max free flow l/min	Max vacuum mbar	Max pressure bar
RD1	0.85	300	2.0

Technical Drawing

RD1 0.55 Kg

dimensions: mm



Application ideas

Application ideas include water sampling, water circulation, condensate removal and dosing.

Please note - it is important that you ensure the motor specification stated and the range of materials offered in the pump are compatible with the performance, environmental limitations and chemical resistance requirements of the application.

For further information or details of our extensive range of pumps, contact our technical sales office who will be please to help you select the most suitable pump for your application.

S30-251/1

